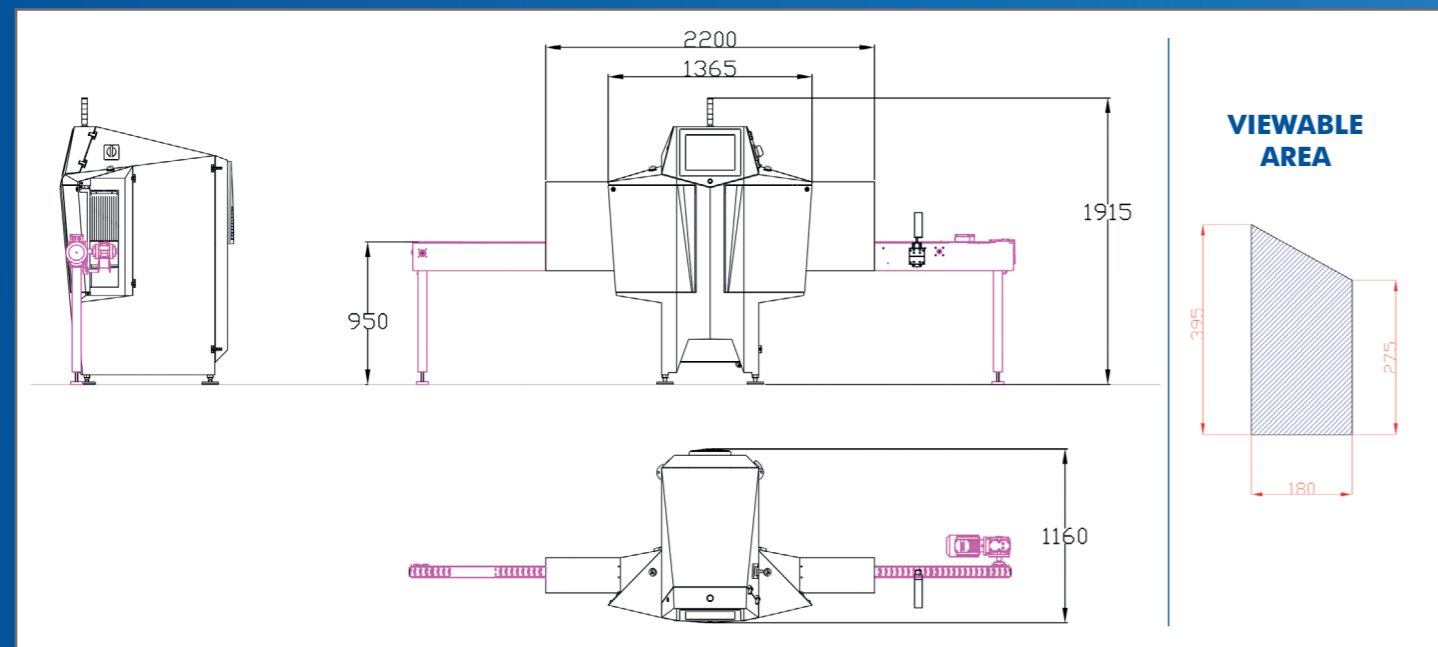




TECHNICAL FEATURES

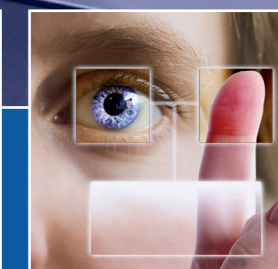
Power	80kV, 2mA
Sensor scan rate	up to 2800 lines/second
Sensor resolution	0.8 or 0.4 mm
Belt speed	up to 80 m/min
Conveyor belt height	750 - 1050 mm
Minimum distance between products	10mm
Curtains	Unleaded FDA approved
Certifications	CE, UL
Safety switches - interlock	SIL 3. Category IV PL E, magnetic
HMI	Touchscreen 15"
Languages	English, Italian, French, German, Spanish, Dutch
Operating temperature	+5°C to +40°C with air conditioner
Relative humidity	20% - 90% (non-condensed)
Power supply	230 VAC ± 10% (standard)
Compressed air	5.5 - 6.9 bar
Cooling	500W air conditioner (IP34 or Nema4x-IP65)
USB port	yes - external
Network port	Ethernet
Radio protection	FDA CFR 21 part 1020,40
International Protection Rating (IP)	IP34 with standard air conditioner, IP65 with Nema4x air conditioner

OVERALL DIMENSIONS



ENG

X-ray Inspection System



www.dylog.it - hitechsales@dylog.it - Tel. +39 011 6938.406 - Fax +39 011 6938.364

DYLOG[®] X-ray foreign body detection
HITECH

DYSENG1014

DYLOG[®]
HITECH



X-ray Inspection System

DYMOND SIDE VIEW MACHINE

The use of advanced components and an attentive innovative and compact design, together with high-performance and intuitive software allow Dymond machines to adapt themselves to the ever higher standards set by food and pharmaceutical companies.



ADVANTAGES OF X-RAY INSPECTION

This is a **non destructive analysis** which, without altering the chemical composition or organoleptic properties of the products in any way, detect contaminants inside them (in any type of container or package) and verify their completeness and conformity. The contaminants which can be identified are all those with a higher density than that of the inspected products: metals, glass, bones, stones, shells, ceramics, PVC, Viton®.



HARDWARE

Ideal for inspecting cans, cartons and glass jars, the DYMOND S can be installed on an existing straight conveyor belt with a simple and quick tube and sensor alignment, thanks to the new numbered notches.



The innovative design means that every internal component is accessible and can be replaced with ease. Additionally, all the machine's internal parts can be reached and washed.



Dylog DYMOND S offers a true PLUG&PLAY solution for products in rigid containers whilst maintaining extremely high levels of inspection performance-

SOFTWARE

Together with the innovative hardware design, the software on the DYMOND S has a brand new interface. Extreme ease-of-use joins a comprehensive range of functions; the result of 15 years of experience in the food and pharmaceutical industry.



Sophisticated algorithms have been implemented to provide excellent performance, even when compared to systems with higher power.



REMOTE CONTROL and a MULTI-LEVEL PASSWORD PROTECTION SYSTEM mean many users can work, each with their own password

