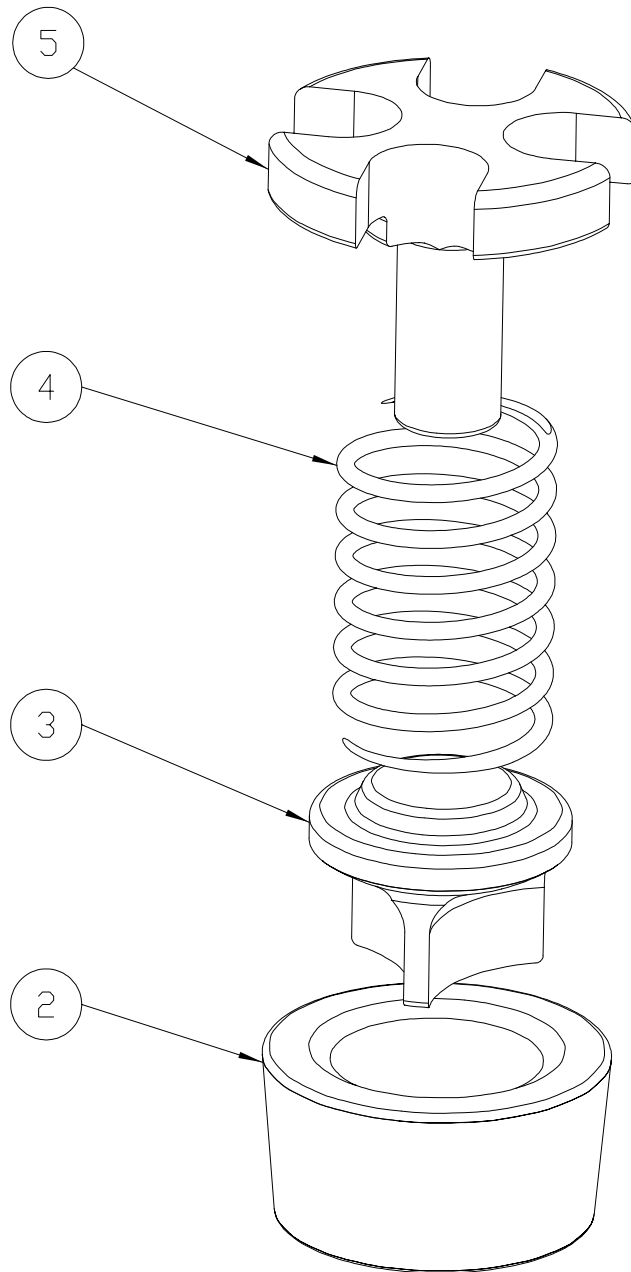


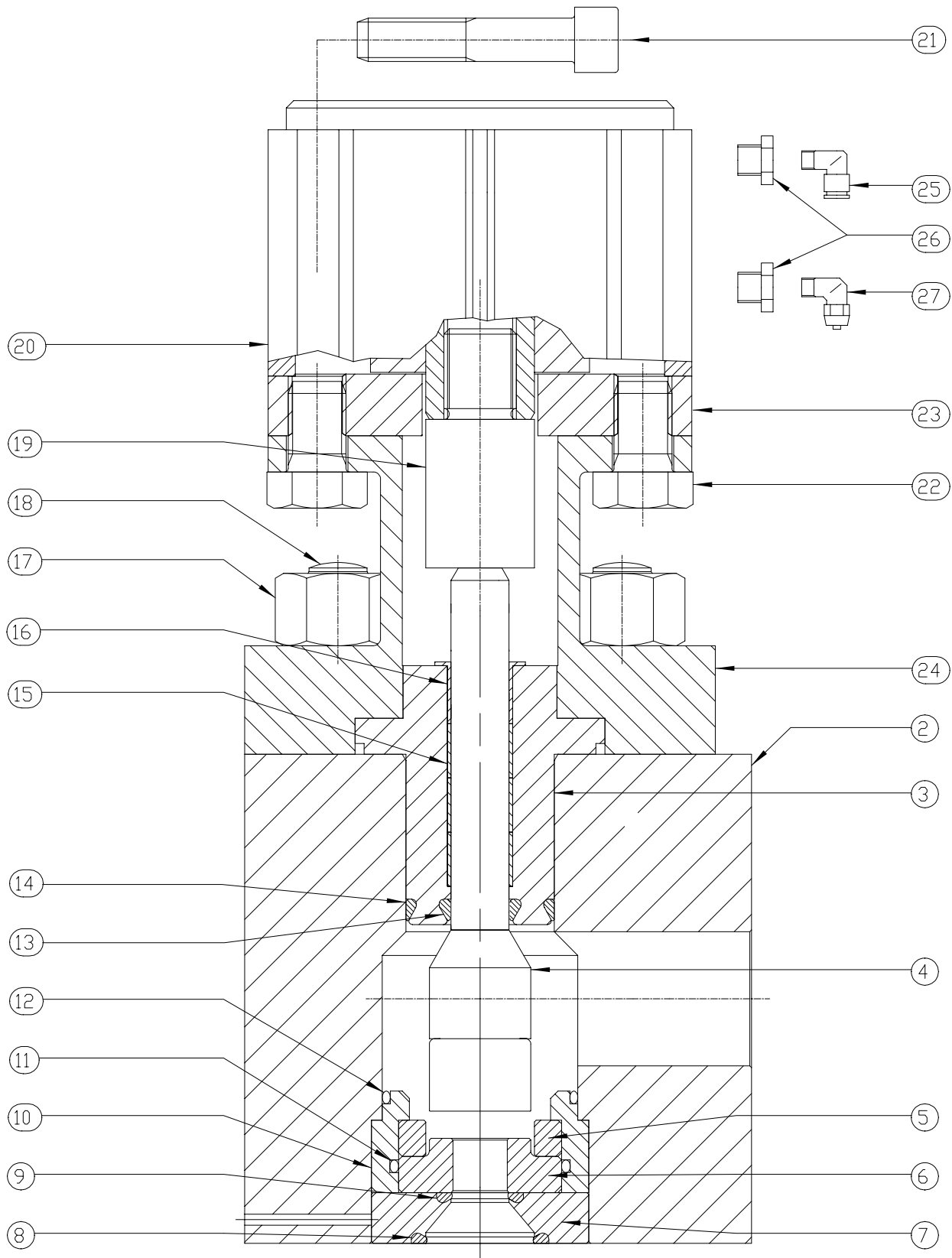
| | | | | | | | | | | |
|-------------|-------------|---------|----------|--|--|---|--|------------|--|---------|
| DESCRIPTION | | | | ** MONOBLOCK COMPRESSION HEAD ASSEMBLY ** | | USER | | - | | |
| DESIGNER | APPROV. | CHECKED | DATE |  Niro-Soavi S.p.A. Specialty Products Division via M. da Erba Edoari, 29/A 43100 PARMA (ITALY) PHONE: ++39.(0)521.965411 - FAX: ++39.(0)521.242819 | |  | | SCALE | | - |
| SIG | | | 17/04/01 | | | DRAWING | | SH. 1 OF 1 | | 0129113 |
| REV. | DESCRIPTION | SIGN. | DATE | | | | | | | |
| . | . | . | . | | | | | | | |
| . | . | . | . | | | | | | | |
| . | . | . | . | | | | | | | |

This drawing is property of NIRO-SOAVI, which will guard its rights by law terms.



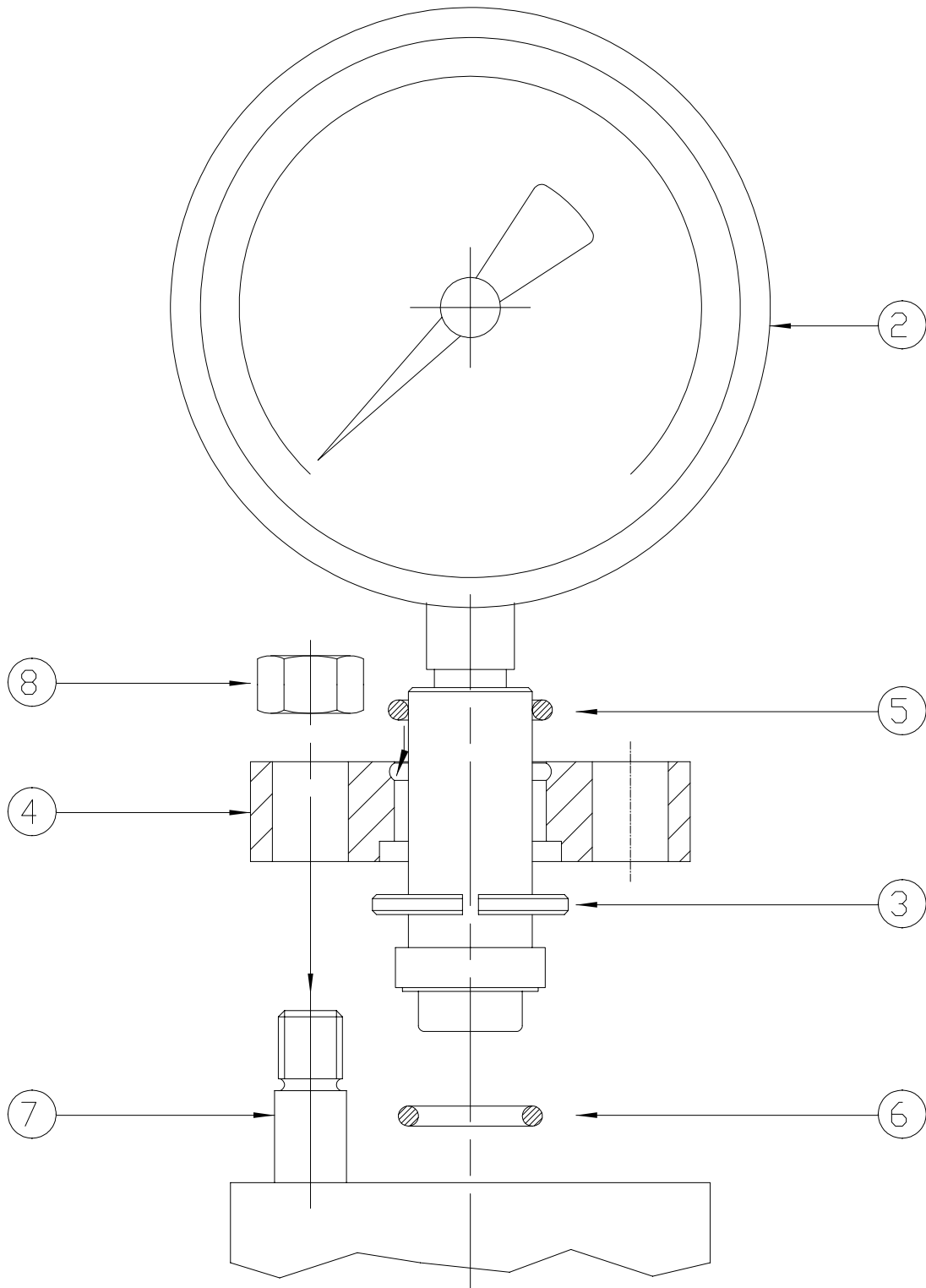
| | | | | | | | | | |
|-------------|-------------|---------|----------|--|---|------------|--|---------|--|
| DESCRIPTION | | | | ** POPPET VALVE GROUP ASSEMBLY ** | | USER | | - | |
| DESIGNER | APPROV. | CHECKED | DATE |  Niro-Soavi S.p.A. Specialty Products Division via M. da Erba Edoardi, 29/A 43100 PARMA (ITALY) PHONE: ++39.(0)521.965411 - FAX: ++39.(0)521.242819 |  | SCALE | | - | |
| SIG | | | 06/04/01 | | | SH. 1 OF 1 | | | |
| REV. | DESCRIPTION | SIGN. | DATE | | | DRAWING | | 0129112 | |
| . | . | . | . | | | | | | |

This drawing is property of NIRO-SOAVI, which will guard its rights by law terms.



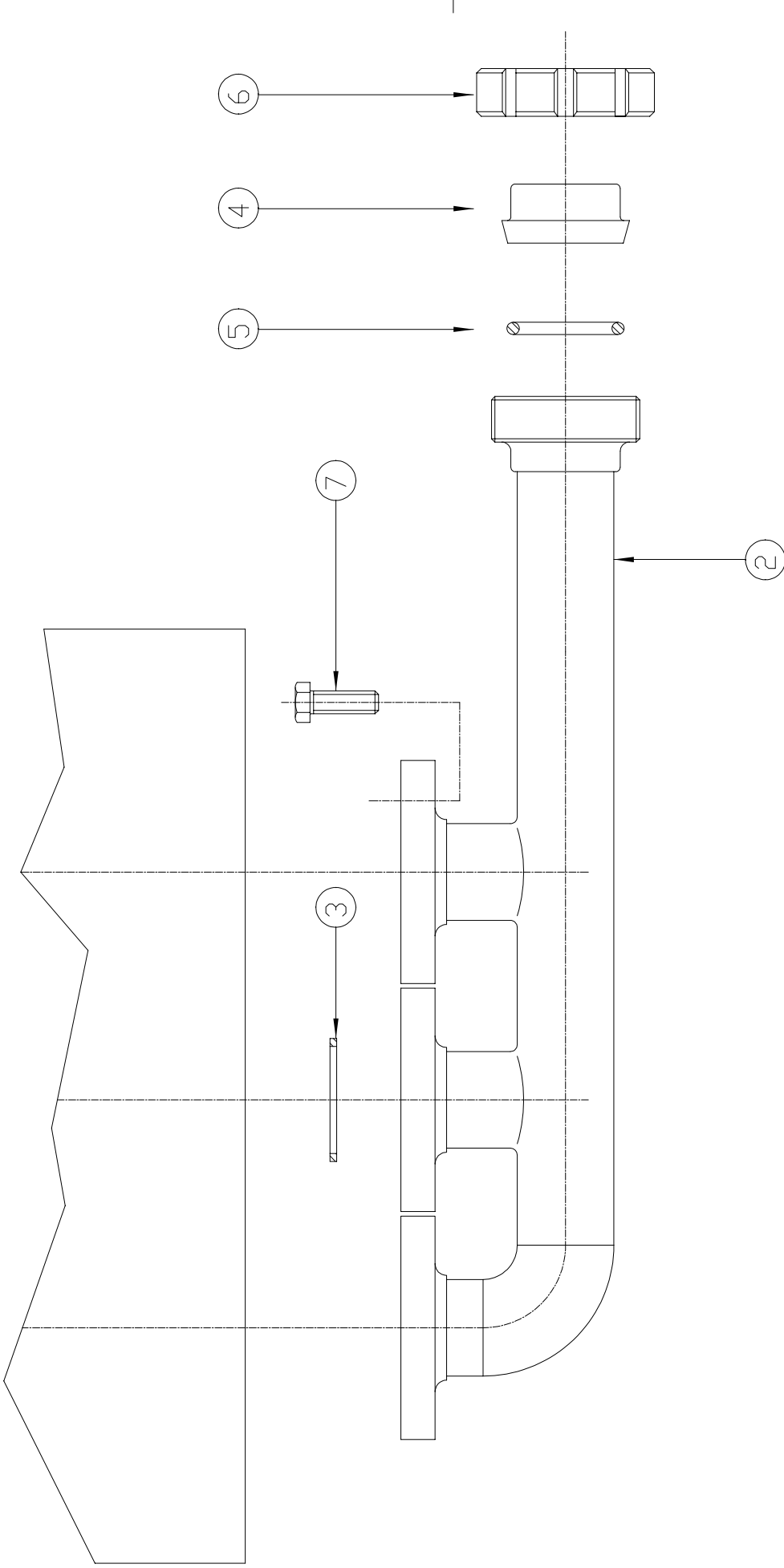
| | | | | | | | | | |
|-------------|-------------|---------|----------|--|--|---|--|------------|--|
| DESCRIPTION | | | | **HOMOG. GROUP 28/45 ASSEMBLY-SANITARY | | MATERIAL | | M.CODE | |
| DESIGNER | APPROV. | CHECKED | DATE |  Niro-Soavi S.p.A. Speciality Products Division via M. da Erba Edoardi, 29/A 43100 PARMA (ITALY) PHONE: ++39.(0)521.965411 - FAX: ++39.(0)521.242819 | |  | | SCALE | |
| SIG | | | 08/10/99 | | | DRAWING | | SH. 1 OF 1 | |
| REV. | DESCRIPTION | SIGN. | DATE |  | | | | | |
| | | | | | | | | | |

This drawing is property of NIRO-SOAVI, which will guard its rights by law terms.



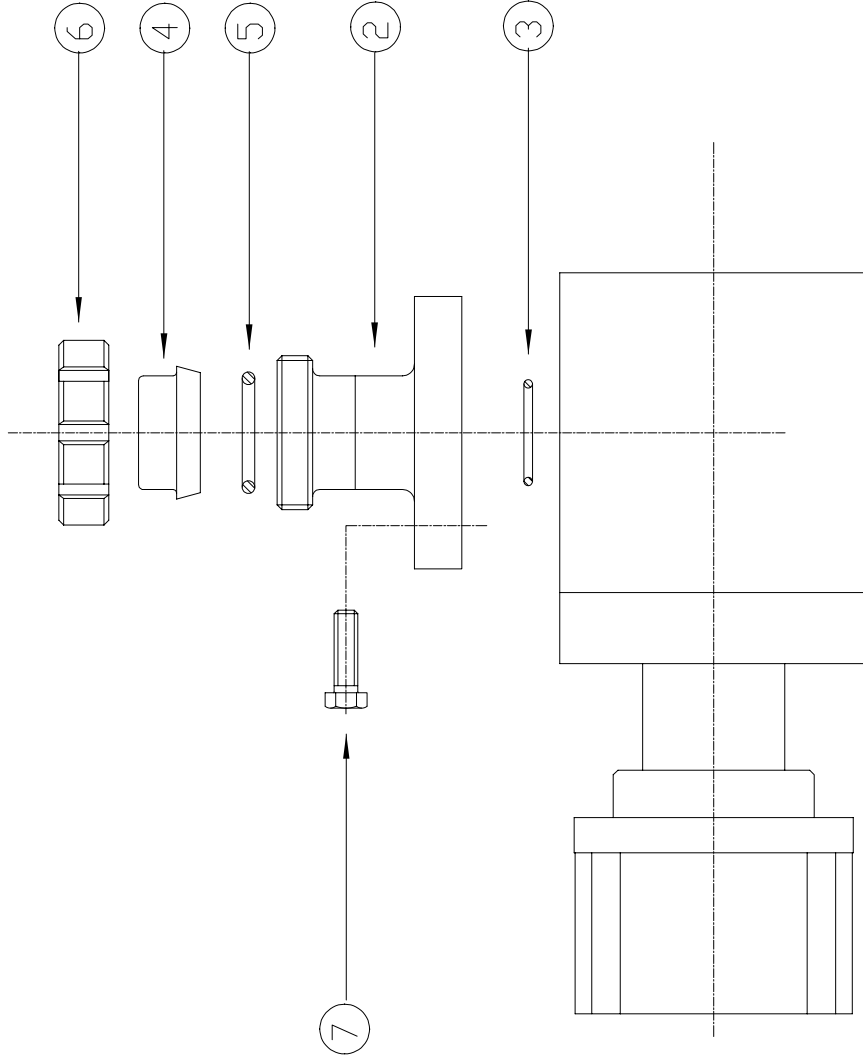
| REF. | PART-CODE | PART-DESCRIPTION | U. | QTY. | MATERIAL | M.CODE | NOTE |
|---|--------------------|------------------|----------|------|------------|------------|------|
| DESCRIPTION ** PRESSURE GAUGE ASSEMBLY ** | | | | | MATERIAL - | M.CODE - | |
| DESIGNER | APPROV. | CHECKED | DATE | | | SCALE | / |
| Barbarini | | | 22/01/92 | | | | |
| REV. | DESCRIPTION | SIGN. | DATE | | | SH. 1 OF 1 | |
| 1 | CAMBIATO CARTIGLIO | CV | 08/02/99 | | | | |
| | | | | | DRAWING | | |
| | | | | | 0124219 | | |


Niro-Soavi S.p.A.
 Speciality Products Division
 via M. da Erba Edoardi, 29/A
 43100 PARMA (ITALY)
 PHONE: ++39.(0)521.965411 - FAX: ++39.(0)521.242819



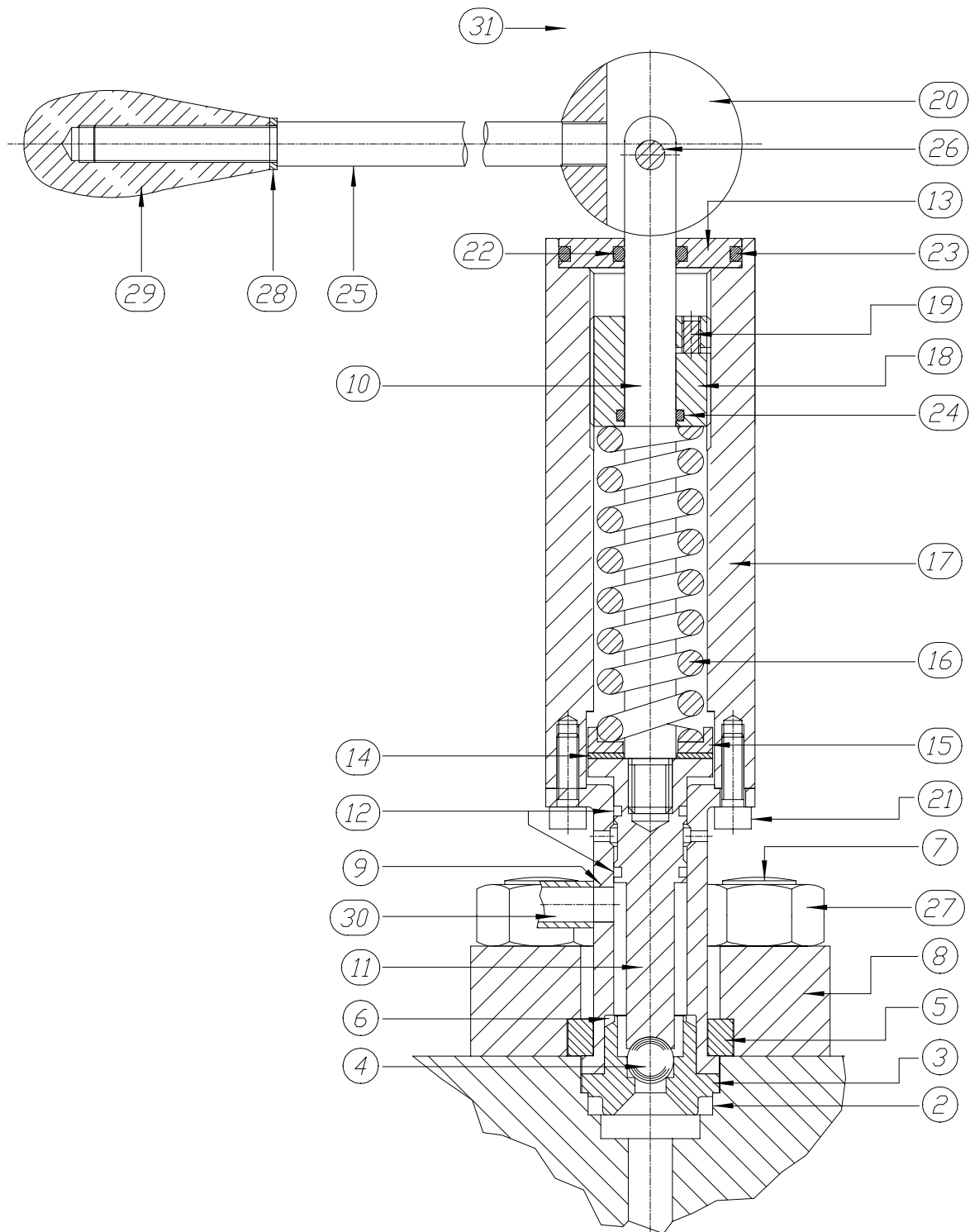
| DESCRIPTION | | ** MANIFOLD GROUP ASSEMBLY ** | | MATERIAL / | | M/CODE / | |
|-------------|-------------|-------------------------------|----------|---|--|------------|--|
| DESIGNER | APPROV. | CHECKED | DATE | | | SCALE | |
| MBE | | | 20/02/02 | | | / | |
| REV. | DESCRIPTION | SIGN. | DATE | | | SH. 1 OF 1 | |
| . | . | . | . | | | | |
| . | . | . | . | | | | |
| . | . | . | . | | | | |
| | | | | Niro-Soavi S.p.A. | | DRAWING | |
| | | | | via M. dg. Erbg Edogri, 29/A | | 0134197 | |
| | | | | 43100 PARMA (ITALY) | | | |
| | | | | PHONE: +39.(0)521.965411 - FAX: +39.(0)521.242819 | | | |

This drawing is property of NIRO-SOAVI, which will guard its rights by law terms.



| DESCRIPTION | | OUTLET FLANGE GROUP ASSEMBLY | | MATERIAL | | M/CODE | |
|-------------|-------------|------------------------------|----------|---|--|---------|------|
| DESIGNER | APPROV. | CHECKED | DATE | | | SCALE | |
| MBE | | | 25/02/02 | | | / | / |
| REV. | DESCRIPTION | SIGN. | DATE | | | SH. 1 | OF 1 |
| | | | | | | | |
| | | | | | | | |
| | | | | | | | |
| | | | | Niro-Soavi S.p.A. | | DRAWING | |
| | | | | via M. dg. Erbg. Edogri, 29/A | | 0134204 | |
| | | | | 43100 PARMA (ITALY) | | | |
| | | | | PHONE: +39.(0)521.965411 - FAX: +39.(0)521.242819 | | | |

This drawing is property of NIRO-SOAVI, which will guard its rights by law terms.



DESCRIPTION ** OVERPRESSURE RELIEF VALVE GROUP ASSEMBLY

USER -

| DESIGNER | APPROV. | CHECKED | DATE |
|----------|--------------------|---------|----------|
| VAROLI | | | 22/10/92 |
| REV. | DESCRIPTION | SIGN. | DATE |
| 1) | CAMBIATO CARTIGLIO | SIG | 16/04/99 |
| . | . | . | . |
| . | . | . | . |

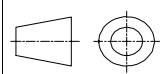


Niro-Soavi S.p.A.

Specialty Products
Division

via M. da Erba Edoari, 29/A
43100 PARMA (ITALY)

PHONE: ++39.(0)521.965411 - FAX: ++39.(0)521.242819



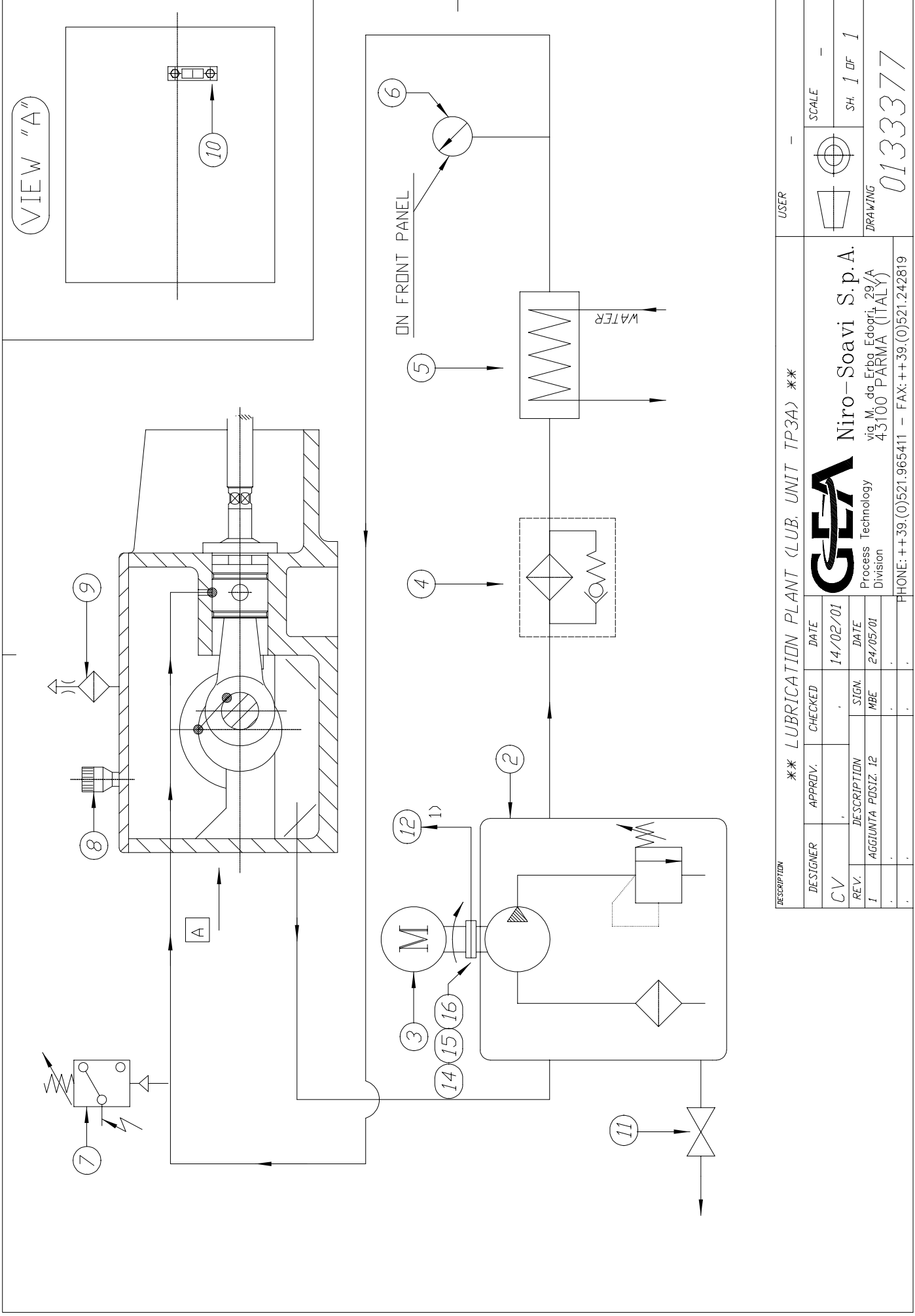
SCALE -

SH. 1 OF 1

DRAWING

0125415

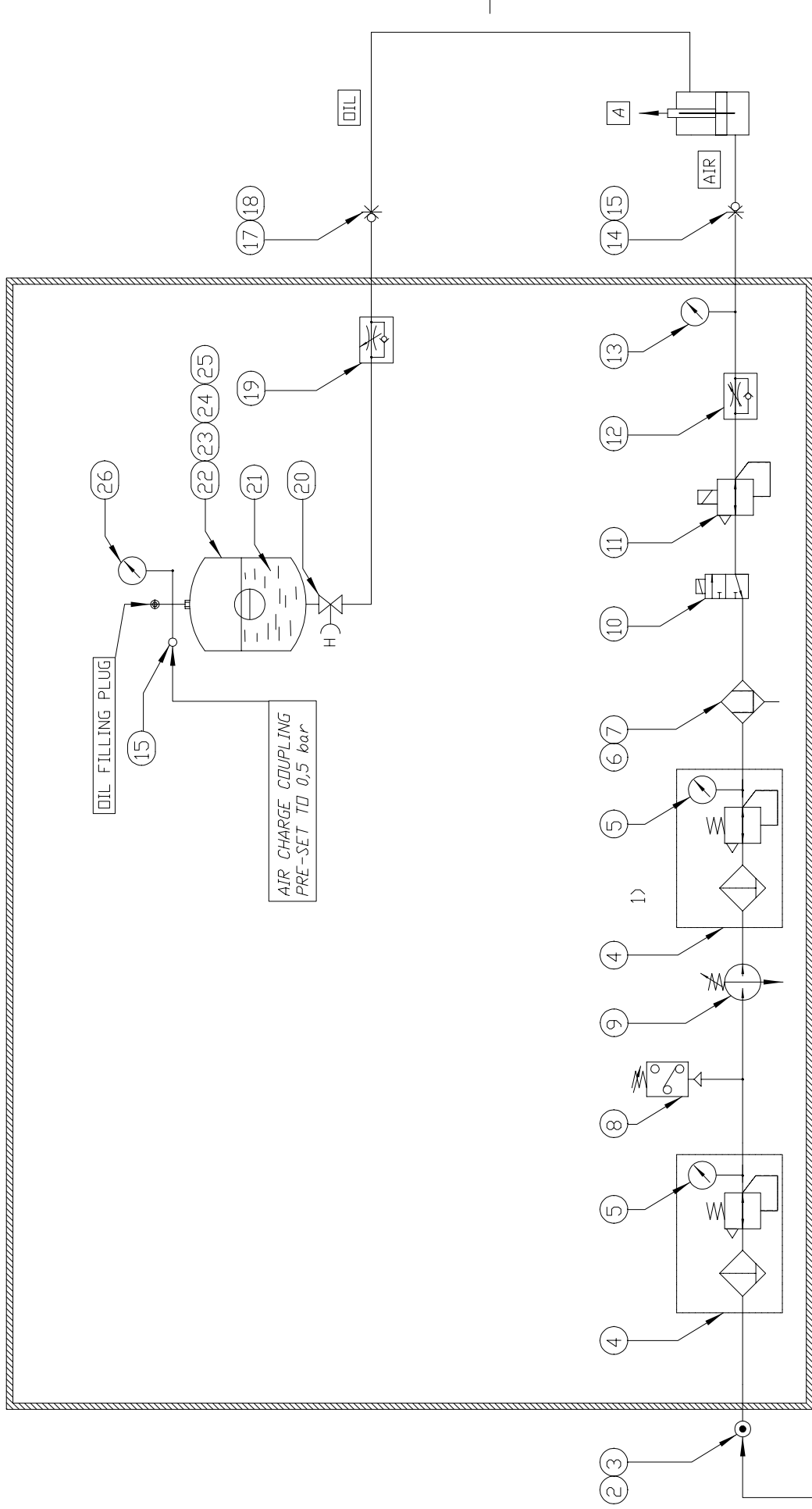
This drawing is property of NIRO-SOAVI, which will guard its rights by law terms.



| DESCRIPTION | | ** LUBRICATION PLANT (LUB. UNIT TP3A) ** | | USER | |
|-------------|--------------------|--|----------|-------|-------------|
| DESIGNER | APPROV. | CHECKED | DATE | SCALE | |
| CV | | | 14/02/01 | - | |
| REV. | DESCRIPTION | SIGN. | DATE | | |
| 1 | AGGIUNTA POSIZ. 12 | MBE | 24/05/01 | | SH. 1 DF. 1 |
| | | | | | DRAWING |
| | | | | | 0133377 |

GEA Niro-Soavi S.p.A.
 Process Technology Division
 vig. M. da Erba Edogri, 29/A
 43100 PARMA (ITALY)
 PHONE: +39.(0)521.965411 - FAX: +39.(0)521.242819

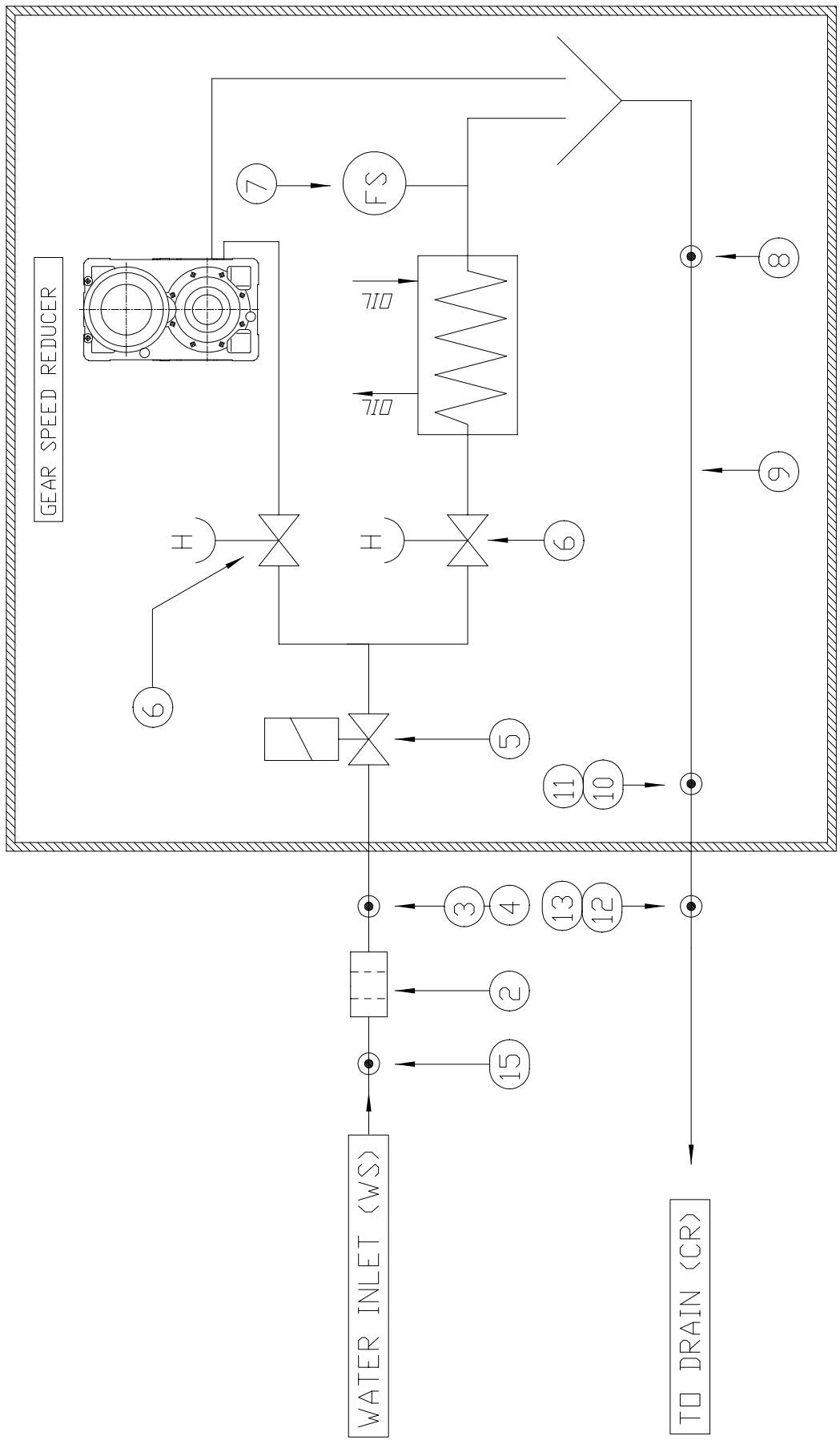
This drawing is property of NIRO-SOAVI, which will guard its rights by law terms.



| DESCRIPTION | | PNEUMATIC CIRCUIT DIAGRAM (ONE STAGE) REMOTE CONTROL +B+PS | | USER | |
|---|----------------|--|----------|---|-------|
| DESIGNER | APPROV. | CHECKED | DATE | SCALE: | |
| MB | | | 12/06/01 | SH. 1 | DF. 1 |
| REV. | DESCRIPTION | SIGN. | DATE | DRAWING | |
| 1 | PLANT MODIFIED | MBE | 02/05/02 | 0133613-3 | |
| | | | | PHONE: +39.(0)521.492941 - FAX: +39.(0)521.242819 | |
| <p style="text-align: center;">GEA Niro-Soavi S.p.A. Process Technology Division via M. da Erba Edogri, 29/A 43100 PARMA (ITALY)</p> | | | | | |

COMPRESSED AIR
SUPPLY (AS)

This drawing is property of NIRO-SOAVI, which will guard its rights by law terms.



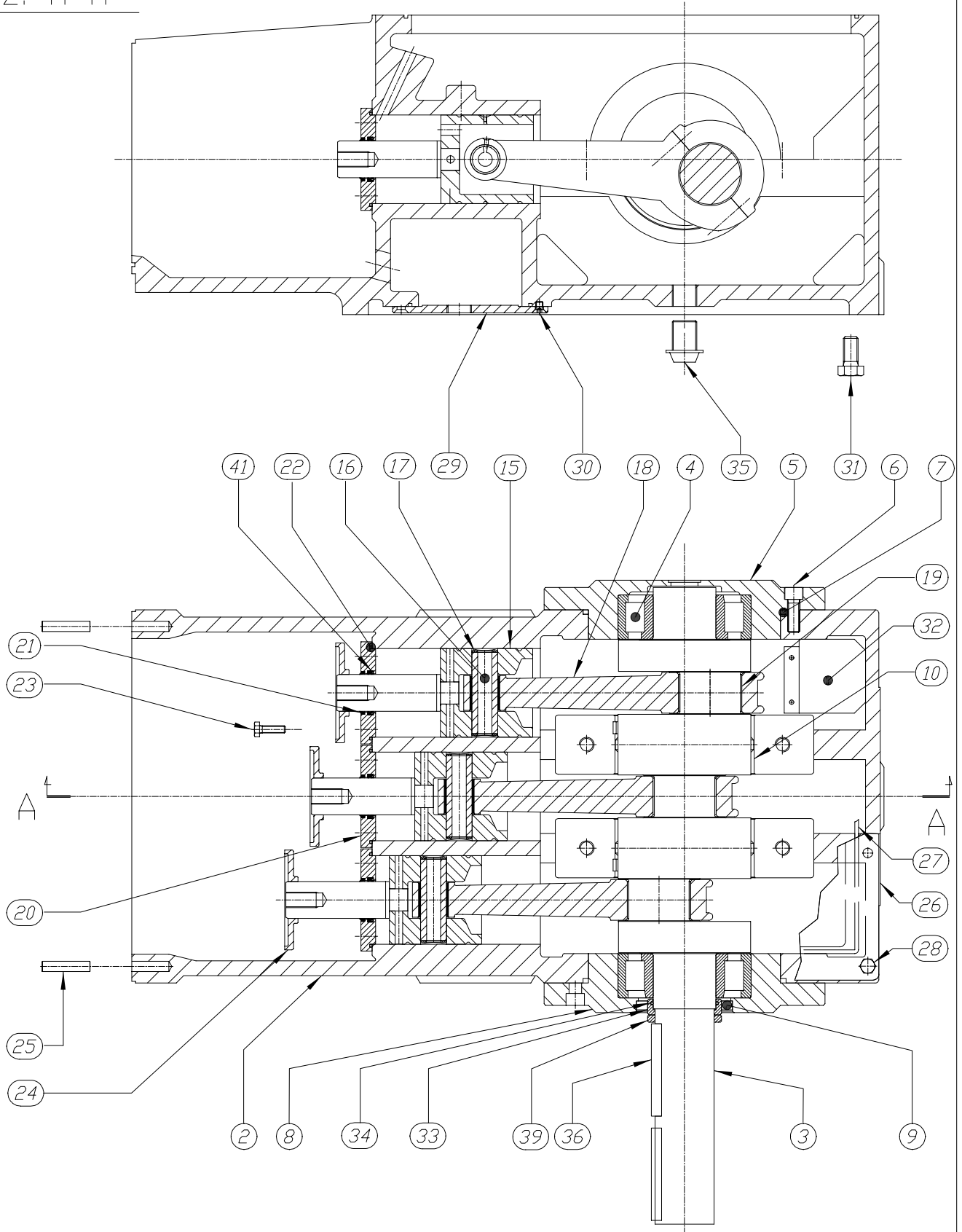
| | | | | | | |
|--|-------------|---------|---------|------------|--------|--|
| DESIGNER | | APPROV. | CHECKED | DATE | M.CODE | |
| CV | | | | 05/06/01 | - | |
| REV. | DESCRIPTION | SIGN. | DATE | SCALE: | | |
| . | . | . | . | / | | |
| . | . | . | . | SH. 1 OF 1 | | |
| GEA Niro-Soavi S.p.A. Process Technology Division via M. dg. Erbg. Edogri, 29/A 43100 PARMA (ITALY) | | | | DRAWING | | |
| PHONE: +39.(0)521.965411 - FAX: +39.(0)521.242819 | | | | 0133601-7 | | |

This drawing is property of NIRO-SOAVI, which will guard its rights by law terms.



| Item | Description | Description | Qty | Part Code |
|------|----------------------------|---------------------------|-----|------------|
| 1 | ASS. CORPO DI TRASMISSIONE | TRASMISSION BODY ASS.DRW. | 1 | 0129079-1 |
| 2 | CORPO DI TRASMISSIONE | TRANSMISSION BODY | 1 | 0131814 |
| 3 | ALBERO A GOMITI | CRANKSHAFT | 1 | 0131752-3 |
| 4 | CUSCINETTO | BEARING | 2 | 220101 |
| 5 | SUPPORTO | SUPPORT | 1 | 0133647 |
| 6 | VITE | SCREW | 16 | 70TCE16X45 |
| 7 | ORING | ORING | 2 | 140145 |
| 8 | SUPPORTO | SUPPORT | 1 | 0120038 |
| 9 | GUARNIZIONE | GASKET | 1 | 180089 |
| 10 | BRONZINA | BRONZE BEARING | 2 | 0113286 |
| 11 | CODICE NON PRESENTE | NOT EXISTING CODE | - | - |
| 12 | CODICE NON PRESENTE | NOT EXISTING CODE | - | - |
| 13 | CODICE NON PRESENTE | NOT EXISTING CODE | - | - |
| 14 | CODICE NON PRESENTE | NOT EXISTING CODE | - | - |
| 15 | PISTONE DI GUIDA | GUIDE PLUNGER | 3 | 0116728 |
| 16 | SPINOTTO | WHRIST PIN | 3 | 250015/1 |
| 17 | RONDELLA | WASHER | 6 | 0103498 |
| 18 | BIELLA | CONROD | 3 | 0113847 |
| 19 | BRONZINA | BRONZE BEARING | 3 | 0113150 |
| 20 | FLANGIA | FLANGE | 3 | 0133959 |
| 21 | ANELLO RASCHIATORE | ROD SCRAPER | 3 | 160136 |
| 22 | ORING | ORING | 3 | 140146 |
| 23 | VITE | SCREW | 12 | 70TE10X30 |
| 24 | SOFFIETTO | SPLASH GUARD | 3 | 0133775 |
| 25 | SPINA | PIN | 2 | 0112008 |
| 26 | COPERCHIO | COVER | 1 | 0101114-3 |
| 27 | GUARNIZIONE | GASKET | 4 | 630005 |
| 28 | VITE | SCREW | 14 | 70TE12X45 |
| 29 | COPERCHIO | COVER | 1 | 0112031 |
| 30 | VITE | SCREW | 8 | 70TCE10X15 |
| 31 | VITE | SCREW | 4 | 70TE20X40 |
| 32 | CONVOGLIATORE OLIO | OIL CONVEYOR | 1 | 0120044 |
| 33 | DISTANZIERE | SPACER | 1 | 0120165 |
| 34 | ORING | ORING | 1 | 140103 |
| 35 | TAPPO | PLUG | 1 | 120921 |
| 36 | LINGUETTA | FEATHER KEY | 1 | 810894 |
| 37 | CODICE NON PRESENTE | NOT EXISTING CODE | - | - |
| 38 | CODICE NON PRESENTE | NOT EXISTING CODE | - | - |
| 39 | RONDELLA | WASHER | 1 | 0133391 |
| 40 | CODICE NON PRESENTE | NOT EXISTING CODE | - | - |
| 41 | GUARNIZIONE | GASKET | 3 | 160135 |
| | | | | |
| | | | | |
| | | | | |
| | | | | |
| | | | | |
| | | | | |
| | | | | |
| | | | | |
| | | | | |
| | | | | |

SEZ. A-A



DESCRIPTION ** *COMPL. CORPO TRASMISSIONE NS3075 CON RIDUTTORE*

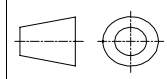
USER -

| DESIGNER | APPROV. | SCALE | DATE |
|----------|-------------|-------|----------|
| GM fab | | / | 13/02/97 |
| REV. | DESCRIPTION | SIGN. | DATE |
| . | . | . | . |
| . | . | . | . |
| . | . | . | . |



Niro-Soavi S.p.A.

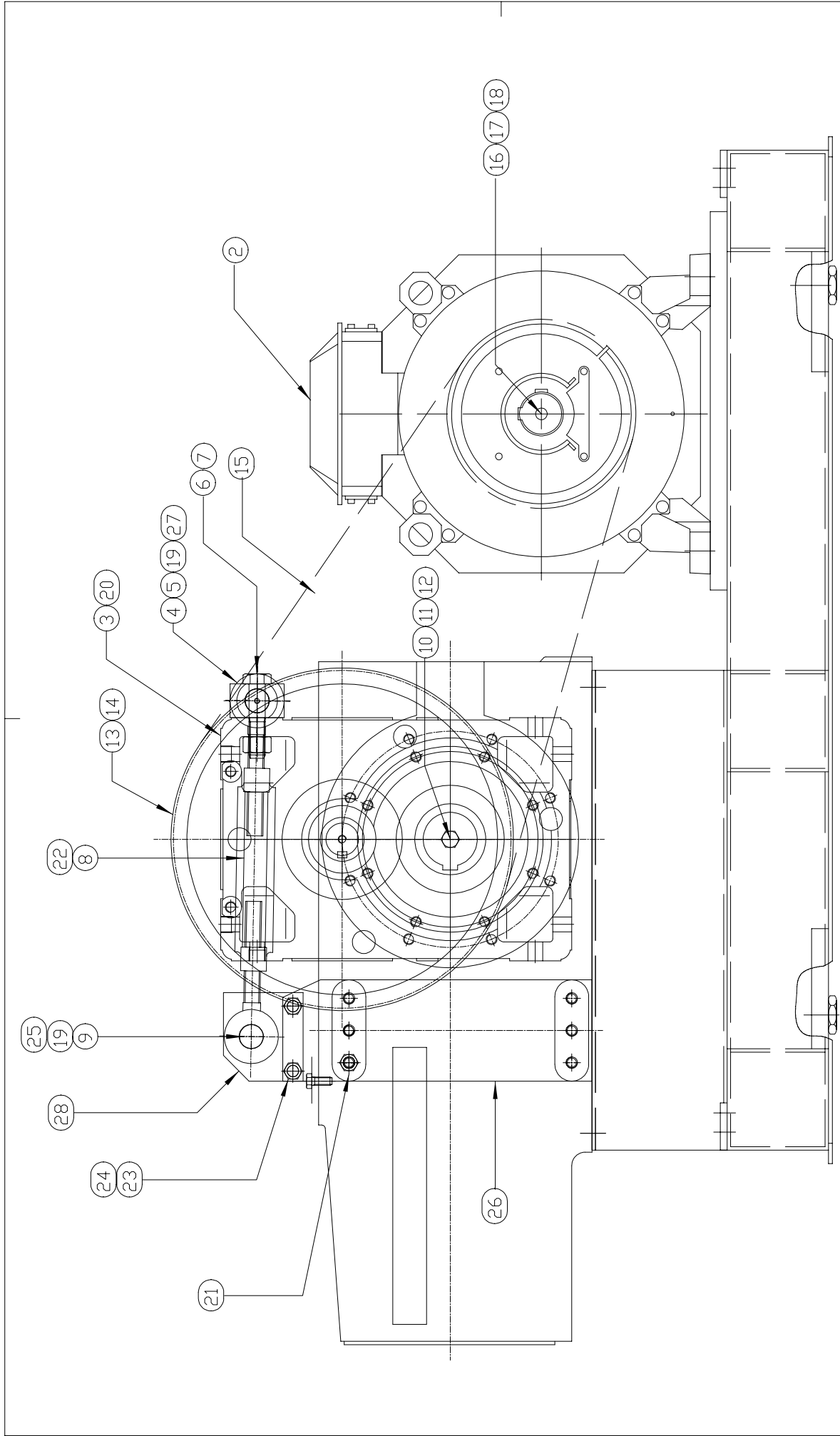
Process Technology Division
 via M. da Erba Edoari, 29/A
 43100 PARMA (ITALY)
 PHONE: ++39.(0)521.492941 - FAX: ++39.(0)521.242819



DIR.:

SH. 1 OF 1

DRAWING
 0129079-1



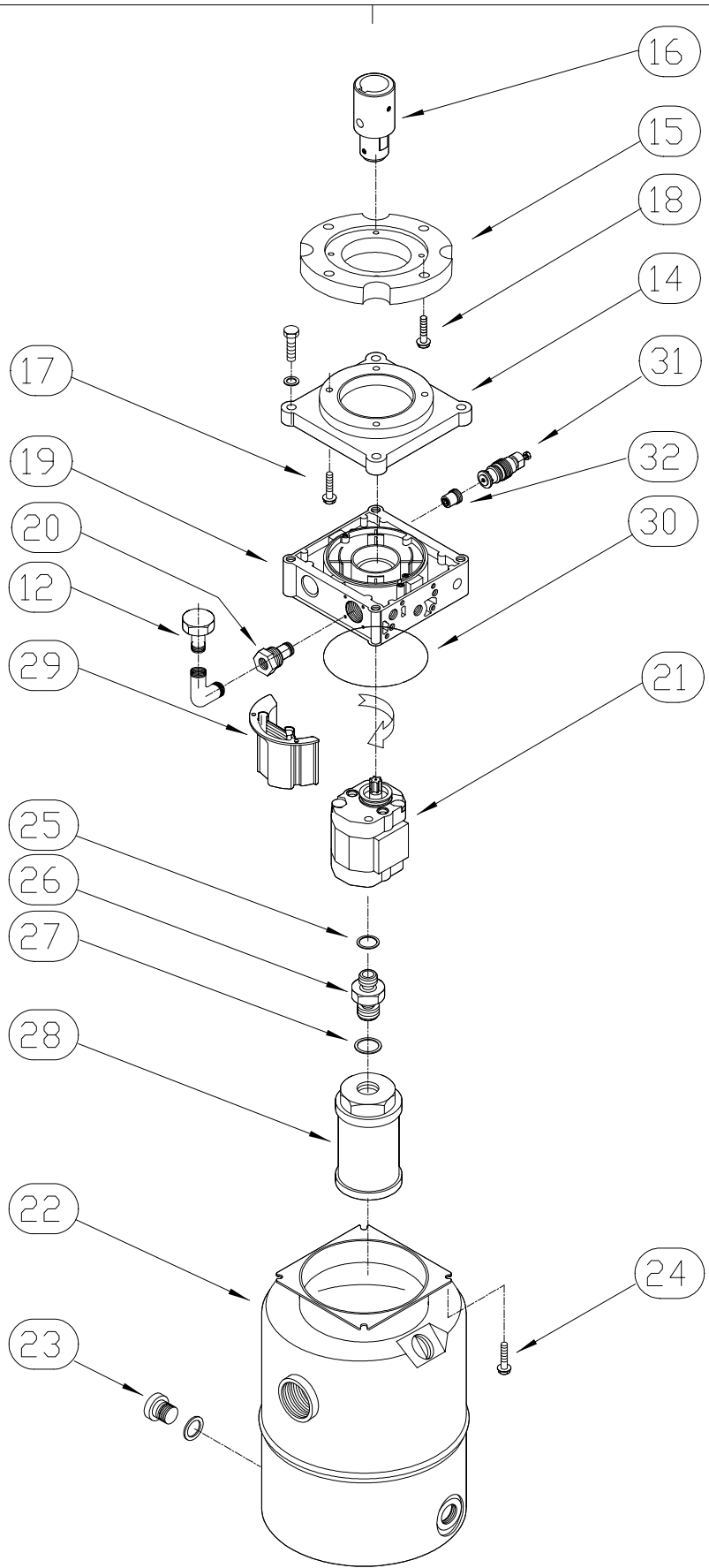
| | | | | | |
|-------------|-------------|--|----------|---|------|
| DESCRIPTION | | ** TRANSMISSION GROUP NS3075 ENERGY RED. ROSSI | | USER | / |
| DESIGNER | APPROV. | CHECKED | DATE | SCALE | / |
| AFR | . | . | 21/02/01 | SH. 1 | OF 1 |
| REV. | DESCRIPTION | SIGN. | DATE | DRAWING | |
| . | . | . | . | 0131820-1 | |
| . | . | . | . | Niro-Soavi S.p.A. | |
| . | . | . | . | vlg. M. da Erpog Edogri, 29/A | |
| . | . | . | . | 43100 PARMA (ITALY) | |
| . | . | . | . | PHONE: +39.(0)521.965411 - FAX: +39.(0)521.242819 | |



Niro-Soavi S.p.A.
 vlg. M. da Erpog Edogri, 29/A
 43100 PARMA (ITALY)

This drawing is property of NIRO-SOAVI, which will guard its rights by law terms.

| NIRO - SOAVI | | Description | | | Code | | |
|---------------------|--|-----------------------------|----------------------|------------------------------------|------------------|--------|--------------------|
| | | Lubricating Unit TP3 | | | TT - 0100 | | |
| 1 | Type | NSOA Code | | | | | |
| | OR TP3A-GR1-6,1 | 260454 | | | | | |
| 1.1 | Description | | | | | | |
| | Lubricating unit with gear type oil pump (displacement 6,1 cm ³ /rev), adjustable bypass valve to regulate the operating pressure, suction side filter and oil tank, volume 8 L. The unit is prearranged for electric motor installation, including adapter flange and two-parts elastic joint. | | | | | | |
| 1.2 | Technical Data | | | | | | |
| | | Data | Unit | Note | | | |
| | Gear Pump Displacement | 6,1 | cm ³ /rev | | | | |
| | Motor RPM @ 50 Hz | 1500 | rpm | | | | |
| | Motor RPM @ 60 Hz | 1800 | rpm | | | | |
| | Motor Type IEC | 0,55 | kW | Frame | 80 | B14 | 4 poles |
| | Motor Type NEMA (USA) | 1,00 | HP | Frame | 143TC | C-face | 4 poles (1800 rpm) |
| | Oil Tank Volume | 8 | L | | | | |
| | Suction Filter Type | 90 | micron | | | | |
| | Max Working Pressure | 15 | bar | | | | |
| | Oil Type | | | ISO VG 150 | | | |
| 1.3 | Performances | | | | | | |
| | | Data | Unit | Note | | | |
| | Nominal Flow @ 50 Hz | 9,2 | l/min | | | | |
| | Nominal Flow @ 60 Hz | 11,0 | l/min | | | | |
| | STD Pressure @ 35°C | 6 | bar | higher value allowed at cold start | | | |
| 1.4 | List of Components - drawing 0133482-1 | | | | | | |
| | Description | Item | Qty | Supplier Code | NSOA Code | Note | |
| | Body TP3A + bypass 5/50bar | 19 | 1 | V60103001 | 261186 | | |
| | Plug 3/4-16 "P" | 20 | 1 | V70100006 | | ** | |
| | Pump GR1/6,1 TP3 DX | 21 | 1 | V60603010 | 261189 | | |
| | Tank Lt.8 1"G TP3 | 22 | 1 | F80110004 | 0133364 | ** | |
| | Plug TCEI 1/2"G + OR | 23 | 1 | TB050801/OR | | ** | |
| | Screw TEF M6x14 | 24 | 4 | C92040022 | | ** | |
| | Copper Washer 3/8" | 25 | 1 | RR50600 | | ** | |
| | Coupling 3/4"G-3/8"G | 26 | 1 | RI05120600 | | ** | |
| | Copper Washer 3/4" | 27 | 1 | RR51200 | | ** | |
| | Suction Filter 3/4"G mesh 90 | 28 | 1 | FCA030090 | 261190 | | |
| | Discharge Manifold Kit TP3 | 29 | 1 | V60203046 | | ** | |
| | ORing | 30 | 1 | | 140117 | | |
| | Motor (IEC size 80)/Pump joint | 16 | 1 | V60503022 | 261185 | * | |
| | Motor (NEMA 143TC)/Pump joi | 16 | 1 | | 0133481 | * | |
| | Motor flange (IEC size 80 B14) | 14 | 1 | F27010008 | 110570 | * | |
| | Adapter Mot.fl.(NEMA size 143 | 15 | 1 | | 0133480 | * | |
| | Screw TCEI M6x20 | 17 | 4 | | 69TCE6X20 | * | |
| | Screw TCEI 3/8"x16 UNC L=20 | 18 | 4 | | 69TCE3/8-16UNC | * | |
| | Vent plug TCDF 1/2"G | 12 | 1 | | 260903 | * | |
| | * : not included in the supply of the complete unit part code 260454 | | | | | | |
| | ** : cannot be supplied as separate spare part | | | | | | |



| | | | | | |
|---|--------------|---------|----------|--|-----------------------------|
| DESCRIPTION ** LUBRICATING UNIT TP3 GR.1-6.1 (LT8) ASSEMBLY ** | | | | MATERIAL / | M.CODE / |
| DESIGNER | APPROV. | CHECKED | DATE | | SCALE 1 : 7 |
| CV | | | 27/04/01 | | SH. 1 OF 1 |
| REV. | DESCRIPTION | SIGN. | DATE | GEA Niro-Soavi S.p.A. Specialty Products Division via M. da Erba Edoari, 29/A 43100 PARMA (ITALY) PHONE: ++39.(0)521.965411 - FAX: ++39.(0)521.242819 | DRAWING 0133482-1 |
| 1 | ADDED POS.12 | CV | 12/06/01 | | |
| . | . | . | . | | |

This drawing is property of NIRO-SOAVI, which will guard its rights by law terms.